

Network Working Group
Request for Comments: 2963
Category: Informational

O. Bonaventure
FUNDP
S. De Cnodder
Alcatel
October 2000

A Rate Adaptive Shaper for Differentiated Services

Status of this Memo

This memo provides information for the Internet community. It does not specify an Internet standard of any kind. Distribution of this memo is unlimited.

Copyright Notice

Copyright (C) The Internet Society (2000). All Rights Reserved.

Abstract

This memo describes several Rate Adaptive Shapers (RAS) that can be used in combination with the single rate Three Color Markers (srTCM) and the two rate Three Color Marker (trTCM) described in RFC2697 and RFC2698, respectively. These RAS improve the performance of TCP when a TCM is used at the ingress of a diffserv network by reducing the burstiness of the traffic. With TCP traffic, this reduction of the burstiness is accompanied by a reduction of the number of marked packets and by an improved TCP goodput. The proposed RAS can be used at the ingress of Diffserv networks providing the Assured Forwarding Per Hop Behavior (AF PHB). They are especially useful when a TCM is used to mark traffic composed of a small number of TCP connections.

1. Introduction

In DiffServ networks [RFC2475], the incoming data traffic, with the AF PHB in particular, could be subject to marking where the purpose of this marking is to provide a low drop probability to a minimum part of the traffic whereas the excess will have a larger drop probability. Such markers are mainly token bucket based such as the single rate Three Color Marker (srTCM) and two rate Three Color Marker (trTCM) described in [RFC2697] and [RFC2698], respectively.

Similar markers were proposed for ATM networks and simulations have shown that their performance with TCP traffic was not always satisfactory and several researchers have shown that these performance problems could be solved in two ways:

1. increasing the burst size, i.e. increasing the Committed Burst Size (CBS) and the Peak Burst Size (PBS) in case of the trTCM, or
2. shaping the traffic such that a part of the burstiness is removed.

The first solution has as major disadvantage that the traffic sent to the network can be very bursty and thus engineering the network to provide a low packet loss ratio can become difficult. To efficiently support bursty traffic, additional resources such as buffer space are needed. Conversely, the major disadvantage of shaping is that the traffic encounters additional delay in the shaper's buffer.

In this document, we propose two shapers that can reduce the burstiness of the traffic upstream of a TCM. By reducing the burstiness of the traffic, the adaptive shapers increase the percentage of packets marked as green by the TCM and thus the overall goodput of the users attached to such a shaper.

Such rate adaptive shapers will probably be useful at the edge of the network (i.e. inside access routers or even network adapters). The simulation results in [Cnodder] show that these shapers are particularly useful when a small number of TCP connections are processed by a TCM.

The structure of this document follows the structure proposed in [Nichols]. We first describe two types of rate adaptive shapers in section two. These shapers correspond to respectively the srTCM and the trTCM. In section 3, we describe an extension to the simple shapers that can provide a better performance. We briefly discuss simulation results in the appendix.

2. Description of the rate adaptive shapers

2.1. Rate adaptive shaper

The rate adaptive shaper is based on a similar shaper proposed in [Bonaventure] to improve the performance of TCP with the Guaranteed Frame Rate [TM41] service category in ATM networks. Another type of rate adaptive shaper suitable for differentiated services was briefly discussed in [Azeem]. A RAS will typically be used as shown in figure 1 where the meter and the marker are the TCMs proposed in [RFC2697] and [RFC2698].

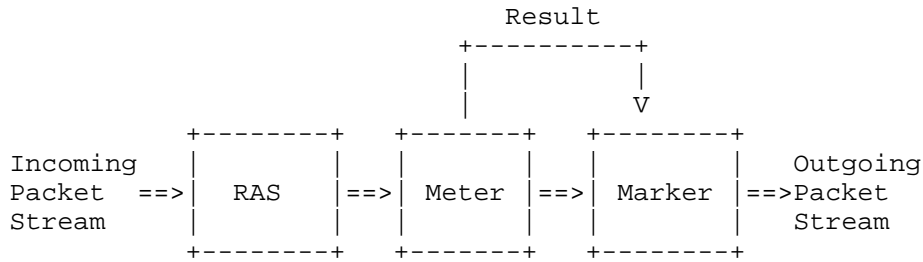


Figure 1. Rate adaptive shaper

The presentation of the rate adaptive shapers in Figure 1 is somewhat different as described in [RFC2475] where the shaper is placed after the meter. The main objective of the shaper is to produce at its output a traffic that is less bursty than the input traffic, but the shaper avoids to discard packets in contrast with classical token bucket based shapers. The shaper itself consists of a tail-drop FIFO queue which is emptied at a variable rate. The shaping rate, i.e. the rate at which the queue is emptied, is a function of the occupancy of the FIFO queue. If the queue occupancy increases, the shaping rate will also increase in order to prevent loss and too large delays through the shaper. The shaping rate is also a function of the average rate of the incoming traffic. The shaper was designed to be used in conjunction with meters such as the TCMS proposed in [RFC2697] and [RFC2698].

There are two types of rate adaptive shapers. The single rate rate adaptive shaper (srRAS) will typically be used upstream of a srTCM while the two rates rate adaptive shaper (trRAS) will usually be used upstream of a trTCM.

2.2. Configuration of the srRAS

The srRAS is configured by specifying four parameters: the Committed Information Rate (CIR), the Maximum Information Rate (MIR) and two buffer thresholds: CIR_th (Committed Information Rate threshold) and MIR_th (Maximum Information Rate threshold). The CIR shall be specified in bytes per second and MUST be configurable. The MIR shall be specified in the same unit as the CIR and SHOULD be configurable. To achieve a good performance, the CIR of a srRAS will usually be set to the same value as the CIR of the downstream srTCM. A typical value for the MIR would be the line rate of the output link of the shaper. When the CIR and optionally the MIR are configured, the srRAS MUST ensure that the following relation is verified:

$CIR \leq MIR \leq \text{line rate}$

The two buffer thresholds, CIR_{th} and MIR_{th} shall be specified in bytes and SHOULD be configurable. If these thresholds are configured, then the srRAS MUST ensure that the following relation holds:

$CIR_{th} \leq MIR_{th} \leq \text{buffer size of the shaper}$

The chosen values for CIR_{th} and MIR_{th} will usually depend on the values chosen for CBS and PBS in the downstream srTCM. However, this dependency does not need to be standardized.

2.3. Behavior of the srRAS

The output rate of the shaper is based on two factors. The first one is the (long term) average rate of the incoming traffic. This average rate can be computed by several means. For example, the function proposed in [Stoica] can be used (i.e. $EAR_{new} = [(1 - \exp(-T/K)) * L/T] + \exp(-T/K) * EAR_{old}$ where EAR_{old} is the previous value of the Estimated Average Rate, EAR_{new} is the updated value, K a constant, L the size of the arriving packet and T the amount of time since the arrival of the previous packet). Other averaging functions can be used as well.

The second factor is the instantaneous occupancy of the FIFO buffer of the shaper. When the buffer occupancy is below CIR_{th} , the output rate of the shaper is set to the maximum of the estimated average rate ($EAR(t)$) and the CIR. This ensures that the shaper buffer will be emptied at least at a rate equal to CIR. When the buffer occupancy increases above CIR_{th} , the output rate of the shaper is computed as the maximum of the $EAR(t)$ and a linear function F of the buffer occupancy for which $F(CIR_{th}) = CIR$ and $F(MIR_{th}) = MIR$. When the buffer occupancy reaches the MIR_{th} threshold, the output rate of the shaper is set to the maximum information rate. The computation of the shaping rate is illustrated in figure 2. We expect that real implementations will only use an approximate function to compute the shaping rate.

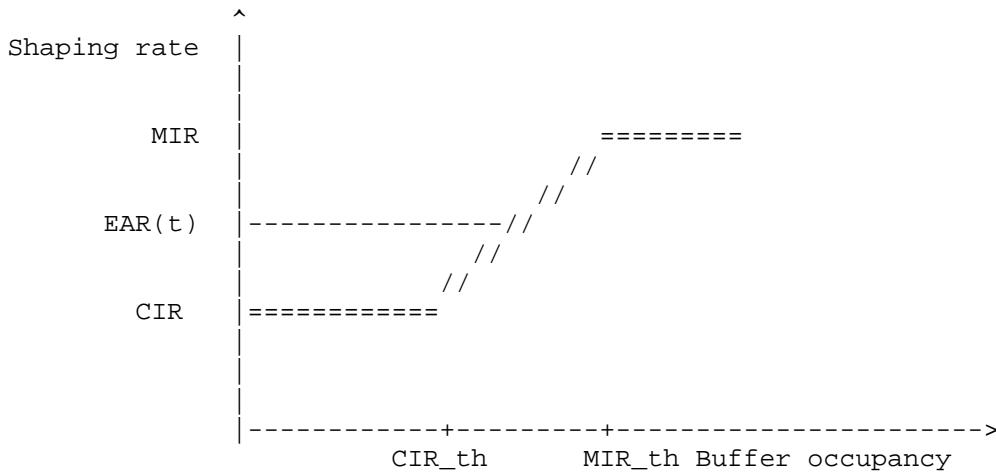


Figure 2. Computation of shaping rate for srRAS

2.4. Configuration of the trRAS

The trRAS is configured by specifying six parameters: the Committed Information Rate (CIR), the Peak Information Rate (PIR), the Maximum Information Rate (MIR) and three buffer thresholds: CIR_th, PIR_th and MIR_th. The CIR shall be specified in bytes per second and MUST be configurable. To achieve a good performance, the CIR of a trRAS will usually be set at the same value as the CIR of the downstream trTCM. The PIR shall be specified in the same unit as the CIR and MUST be configurable. To achieve a good performance, the PIR of a trRAS will usually be set at the same value as the PIR of the downstream trRAS. The MIR SHOULD be configurable and shall be specified in the same unit as the CIR. A typical value for the MIR will be the line rate of the output link of the shaper. When the values for CIR, PIR and optionally MIR are configured, the trRAS MUST ensure that the following relation is verified:

$$\text{CIR} \leq \text{PIR} \leq \text{MIR} \leq \text{line rate}$$

The three buffer thresholds, CIR_th, PIR_th and MIR_th shall be specified in bytes and SHOULD be configurable. If these thresholds are configured, then the trRAS MUST ensure that the following relation is verified:

$$\text{CIR_th} \leq \text{PIR_th} \leq \text{MIR_th} \leq \text{buffer size of the shaper}$$

The CIR_th, PIR_th and MIR_th will usually depend on the values chosen for the CBS and the PBS in the downstream trTCM. However, this dependency does not need to be standardized.

2.5. Behavior of the trRAS

The output rate of the trRAS is based on two factors. The first is the (long term) average rate of the incoming traffic. This average rate can be computed as for the srRAS.

The second factor is the instantaneous occupancy of the FIFO buffer of the shaper. When the buffer occupancy is below CIR_{th} , the output rate of the shaper is set to the maximum of the estimated average rate ($EAR(t)$) and the CIR. This ensures that the shaper will always send traffic at least at the CIR. When the buffer occupancy increases above CIR_{th} , the output rate of the shaper is computed as the maximum of the $EAR(t)$ and a piecewise linear function F of the buffer occupancy. This piecewise function can be defined as follows. The first piece is between zero and CIR_{th} where F is equal to CIR. This means that when the buffer occupancy is below a certain threshold CIR_{th} , the shaping rate is at least CIR. The second piece is between CIR_{th} and PIR_{th} where F increases linearly from CIR to PIR. The third part is from PIR_{th} to MIR_{th} where F increases linearly from PIR to the MIR and finally when the buffer occupancy is above MIR_{th} , the shaping rate remains constant at the MIR. The computation of the shaping rate is illustrated in figure 3. We expect that real implementations will use an approximation of the function shown in this figure to compute the shaping rate.

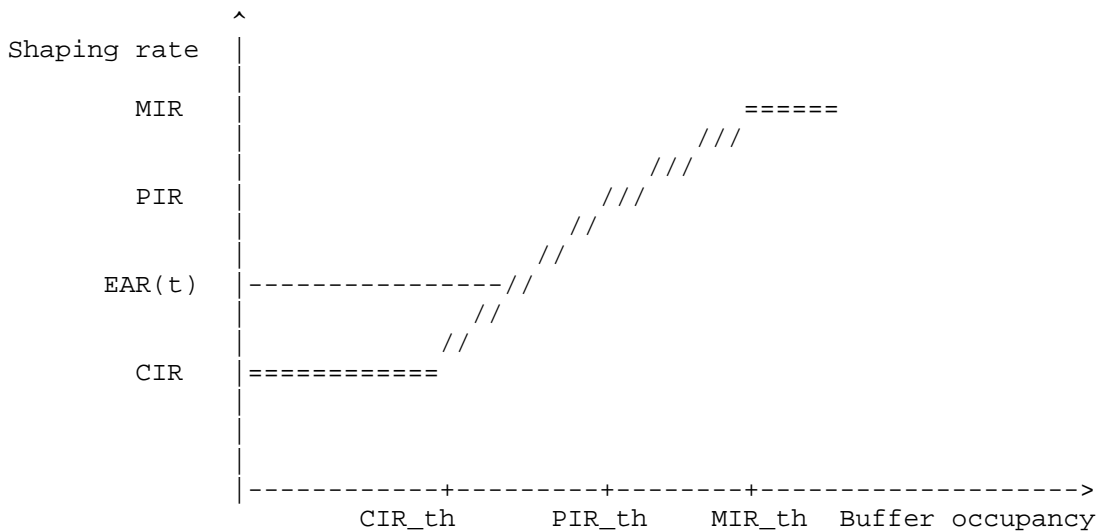


Figure 3. Computation of shaping rate for trRAS

3. Description of the green RAS.

3.1. The green rate adaptive shapers

The srRAS and the trRAS described in the previous section are not aware of the status of the meter. This entails that a RAS could unnecessarily delay a packet although there are sufficient tokens available to color the packet green. This delay could mean that TCP takes more time to increase its congestion window and this may lower the performance with TCP traffic. The green RAS shown in figure 4 solves this problem by coupling the shaper with the meter.

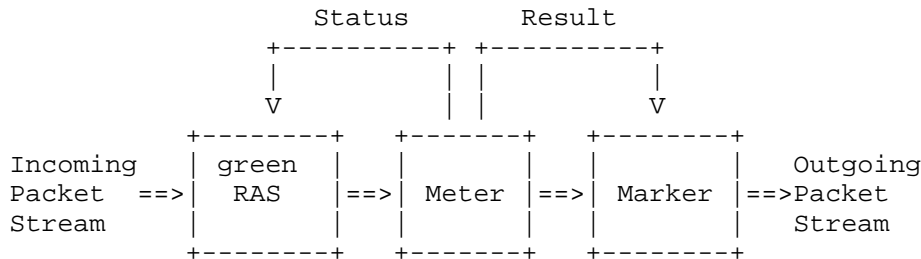


Figure 4. green RAS

The two rate adaptive shapers described in section 2 calculate a shaping rate, which is defined as the maximum of the estimated average incoming data rate and some function of the buffer occupancy. Using this shaping rate, the RAS computes the time schedule at which the packet at the head of the queue of the shaper is to be released. The main idea of the green RAS is to couple the shaper with the downstream meter so that the green RAS knows at what time the packet at the head of its queue would be accepted as green by the meter. If this time instant is earlier than the release time computed from the current shaping rate, then the packet can be released at this time instant. Otherwise, the packet at the head of the queue of the green RAS will be released at the time instant calculated from the current shaping rate.

3.2. Configuration of the Green single rate Rate Adaptive Shaper (GsrRAS)

The G-srRAS must be configured in the same way as the srRAS (see section 2.2).

3.3. Behavior of the G-srRAS

First of all, the shaping rate of the G-srRAS is calculated in the same way as for the srRAS. With the srRAS, this shaping rate determines a time schedule, T_1 , at which the packet at the head of the queue is to be released from the shaper.

A second time schedule, T_2 , is calculated as the earliest time instant at which the packet at the head of the shaper's queue would be colored as green by the downstream srTCM. Suppose that a packet of size B bytes is at the head of the shaper and that CIR is the Committed Information Rate of the srTCM in bytes per second. If we denote the current time by t and by $T_c(t)$ the amount of green tokens in the token bucket of the srTCM at time t , then T_2 is equal to $\max(t, t+(B-T_c(t))/CIR)$. If B is larger than CBS, the Committed Burst Size of the srTCM, then T_2 is set to infinity.

When a packet arrives at the head of the queue of the shaper, it will leave this queue not sooner than $\min(T_1, T_2)$ from the shaper.

3.4 Configuration of the Green two rates Rate Adaptive Shaper (G-trRAS)

The G-trRAS must be configured in the same way as the trRAS (see section 2.4).

3.5. Behavior of the G-trRAS

First of all, the shaping rate of the G-trRAS is calculated in the same way as for the trRAS. With the trRAS, this shaping rate determines a time schedule, T_1 , at which the packet at the head of the queue is to be released from the shaper.

A second time schedule, T_2 , is calculated as the earliest time instant at which the packet at the head of the shaper's queue would be colored as green by the downstream trTCM. Suppose that a packet of size B bytes is at the head of the shaper and that CIR is the Committed Information Rate of the srTCM in bytes per second. If we denote the current time by t and by $T_c(t)$ (resp. $T_p(t)$) the amount of green (resp. yellow) tokens in the token bucket of the trTCM at time t , then T_2 is equal to $\max(t, t+(B-T_c(t))/CIR, t+(B-T_p(t))/PIR)$. If B is larger than CBS, the committed burst size, or PBS, the peak burst size, of the srTCM, then T_2 is set to infinity.

When a packet arrives at the head of the queue of the shaper, it will leave this queue not sooner than $\min(T_1, T_2)$ from the shaper.

4. Assumption

The shapers discussed in this document assume that the Internet traffic is dominated by protocols such as TCP that react appropriately to congestion by decreasing their transmission rate.

The proposed shapers do not provide a performance gain if the traffic is composed of protocols that do not react to congestion by decreasing their transmission rate.

5. Example services

The shapers discussed in this document can be used where the TCMS proposed in [RFC2697] and [RFC2698] are used. In fact, simulations briefly discussed in Appendix A show that the performance of TCP can be improved when a rate adaptive shaper is used upstream of a TCM. We expect such rate adaptive shapers to be particularly useful at the edge of the network, for example inside (small) access routers or even network adapters.

6. The rate adaptive shaper combined with other markers

This document explains how the idea of a rate adaptive shaper can be combined with the srTCM and the trTCM. This resulted in the srRAS and the G-srRAS for the srTCM and in the trRAS and the G-trRAS for the trTCM. Similar adaptive shapers could be developed to support other traffic markers such as the Time Sliding Window Three Color Marker (TSWTCM) [Fang]. However, the exact definition of such new adaptive shapers and their performance is outside the scope of this document.

7. Security Considerations

The shapers described in this document have no known security concerns.

8. Intellectual Property Rights

The IETF has been notified of intellectual property rights claimed in regard to some or all of the specification contained in this document. For more information consult the online list of claimed rights.

9. Acknowledgement

We would like to thank Emmanuel Desmet for his comments.

10. References

- [Azeem] Azeem, F., Rao, A., Lu, X. and S. Kalyanaraman, "TCP-Friendly Traffic Conditioners for Differentiated Services", Work in Progress.
- [RFC2475] Blake S., Black, D., Carlson, M., Davies, E., Wang, Z. and W. Weiss, "An Architecture for Differentiated Services", RFC 2475, December 1998.
- [Bonaventure] Bonaventure O., "Integration of ATM under TCP/IP to provide services with a minimum guaranteed bandwidth", Ph. D. thesis, University of Liege, Belgium, September 1998.
- [Clark] Clark D. and Fang, W., "Explicit Allocation of Best-Effort Packet Delivery Service", IEEE/ACM Trans. on Networking, Vol. 6, No. 4, August 1998.
- [Cnodder] De Cnodder S., "Rate Adaptive Shapers for Data Traffic in DiffServ Networks", NetWorld+Interop 2000 Engineers Conference, Las Vegas, Nevada, USA, May 10-11, 2000.
- [Fang] Fang W., Seddigh N. and B. Nandy, "A Time Sliding Window Three Colour Marker (TSWTCM)", RFC 2859, June 2000.
- [Floyd] Floyd S. and V. Jacobson, "Random Early Detection Gateways for Congestion Avoidance", IEEE/ACM Transactions on Networking, August 1993.
- [RFC2697] Heinanen J. and R. Guerin, "A Single Rate Three Color Marker", RFC 2697, September 1999.
- [RFC2698] Heinanen J. and R. Guerin, "A Two Rate Three Color Marker", RFC 2698, September 1999.
- [RFC2597] Heinanen J., Baker F., Weiss W. and J. Wroclawski, "Assured Forwarding PHB Group", RFC 2597, June 1999.
- [Nichols] Nichols K. and B. Carpenter, "Format for Diffserv Working Group Traffic Conditioner Drafts", Work in Progress.

- [Stoica] Stoica I., Shenker S. and H. Zhang, "Core-stateless fair queueing: achieving approximately fair bandwidth allocations in high speed networks", ACM SIGCOMM98, pp. 118-130, Sept. 1998
- [TM41] ATM Forum, Traffic Management Specification, version 4.1, 1999

Appendix

A. Simulation results

We briefly discuss simulations showing the benefits of the proposed shapers in simple network environments. Additional simulation results may be found in [Cnodder].

A.1 description of the model

To evaluate the rate adaptive shaper through simulations, we use the simple network model depicted in Figure A.1. In this network, we consider that a backbone network is used to provide a LAN Interconnection service to ten pairs of LANs. Each LAN corresponds to an uncongested switched 10 Mbps LAN with ten workstations attached to a customer router (C1-C10 in figure A.1). The delay on the LAN links is set to 1 msec. The MSS size of the workstations is set to 1460 bytes. The workstations on the left hand side of the figure send traffic to companion workstations located on the right hand side of the figure. All traffic from the LAN attached to customer router C1 is sent to the LAN attached to customer router C1'. There are ten workstations on each LAN and each workstation implements SACK-TCP with a maximum window size of 64 KBytes.

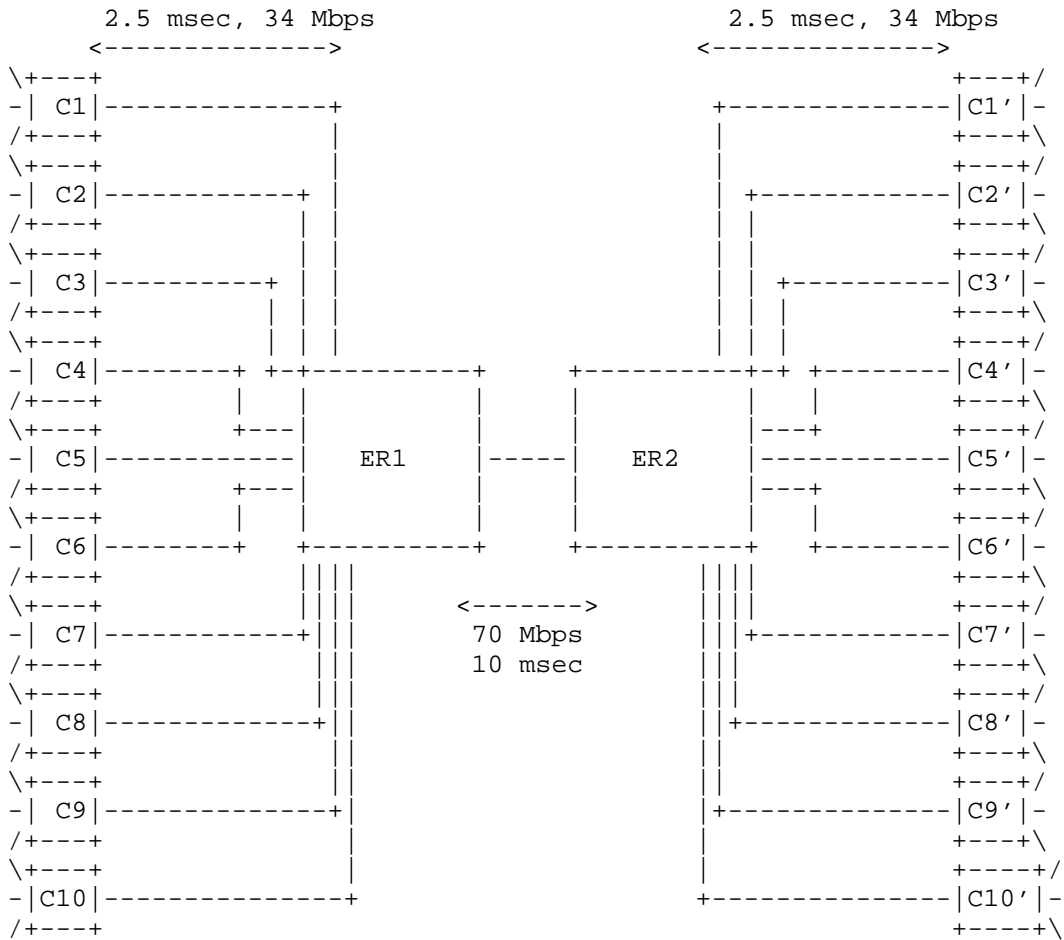


Figure A.1. the simulation model.

The customer routers are connected with 34 Mbps links to the backbone network which is, in our case, composed of a single bottleneck 70 Mbps link between the edge routers ER1 and ER2. The delay on all the customer-edge 34 Mbps links has been set to 2.5 msec to model a MAN or small WAN environment. These links and the customer routers are not a bottleneck in our environment and no losses occurs inside the edge routers. The customer routers are equipped with a trTCM [Heinänen2] and mark the incoming traffic. The parameters of the trTCM are shown in table A.1.

Table A.1: configurations of the trTCMs

Router	CIR	PIR	Line Rate
C1	2 Mbps	4 Mbps	34 Mbps
C2	4 Mbps	8 Mbps	34 Mbps
C3	6 Mbps	12 Mbps	34 Mbps
C4	8 Mbps	16 Mbps	34 Mbps
C5	10 Mbps	20 Mbps	34 Mbps
C6	2 Mbps	4 Mbps	34 Mbps
C7	4 Mbps	8 Mbps	34 Mbps
C8	6 Mbps	12 Mbps	34 Mbps
C9	8 Mbps	16 Mbps	34 Mbps
C10	10 Mbps	20 Mbps	34 Mbps

All customer routers are equipped with a trTCM where the CIR are 2 Mbps for router C1 and C6, 4 Mbps for C2 and C7, 6 Mbps for C3 and C8, 8 Mbps for C4 and C9 and 10 Mbps for C5 and C10. Routers C6-C10 also contain a trRAS in addition to the trTCM while routers C1-C5 only contain a trTCM. In all simulations, the PIR is always twice as large as the CIR. Also the PBS is the double of the CBS. The CBS will be varied in the different simulation runs.

The edge routers, ER1 and ER2, are connected with a 70 Mbps link which is the bottleneck link in our environment. These two routers implement the RIO algorithm [Clark] that we have extended to support three drop priorities instead of two. The thresholds of the parameters are 100 and 200 packets (minimum and maximum threshold, respectively) for the red packets, 200 and 400 packets for the yellow packets and 400 and 800 for the green packets. These thresholds are reasonable since there are 100 TCP connections crossing each edge router. The parameter maxp of RIO for green, yellow and red are respectively set to 0.02, 0.05, and 0.1. The weight to calculate the average queue length which is used by RED or RIO is set to 0.002 [Floyd].

The simulated time is set to 102 seconds where the first two seconds are not used to gather TCP statistics (the so-called warm-up time) such as goodput.

A.2 Simulation results for the trRAS

For our first simulations, we consider that routers C1-C5 only utilize a trTCM while routers C6-C10 utilize a rate adaptive shaper in conjunction with a trTCM. All routers use a CBS of 3 KBytes. In table A.2, we show the total throughput achieved by the workstations attached to each LAN as well as the total throughput for the green and the yellow packets as a function of the CIR of the trTCM used on the customer router attached to this LAN. The throughput of the red

packets is equal to the difference between the total traffic and the green and the yellow traffic. In table A.3, we show the total throughput achieved by the workstations attached to customer routers with a rate adaptive shaper.

Table A.2: throughput in Mbps for the unshaped traffic.

	green	yellow	total
2Mbps [C1]	1.10	0.93	2.25
4Mbps [C2]	2.57	1.80	4.55
6Mbps [C3]	4.10	2.12	6.39
8Mbps [C4]	5.88	2.32	8.33
10Mbps [C5]	7.57	2.37	10.0

Table A.3: throughput in Mbps for the adaptively shaped traffic.

	green	yellow	total
2Mbps [C6]	2.00	1.69	3.71
4Mbps [C7]	3.97	2.34	6.33
6Mbps [C8]	5.93	2.23	8.17
8Mbps [C9]	7.84	2.28	10.1
10Mbps [C10]	9.77	2.14	11.9

This first simulation shows clearly that the workstations attached to an edge router with a rate adaptive shaper have a clear advantage, from a performance point of view, with respect to workstations attached to an edge router with only a trTCM. The performance improvement is the result of the higher proportion of packets marked as green by the edge routers when the rate adaptive shaper is used.

To evaluate the impact of the CBS on the TCP goodput, we did additional simulations where we varied the CBS of all customer routers.

Table A.4 shows the total goodput for workstations attached to, respectively, routers C1 (trTCM with 2 Mbps CIR, no adaptive shaping), C6 (trRAS with 2 Mbps CIR and adaptive shaping), C3 (trTCM with 6 Mbps CIR, no adaptive shaping), and C8 (trRAS with 6 Mbps CIR and adaptive shaping) for various values of the CBS. From this table, it is clear that the rate adaptive shapers provide a performance benefit when the CBS is small. With a very large CBS, the performance decreases when the shaper is in use. However, a CBS of a few hundred KBytes is probably too large in many environments.

Table A.4: goodput in Mbps (link rate is 70 Mbps) versus CBS in KBytes.

CBS	2_Mbps_unsh	2_Mbps_sh	6_Mbps_unsh	6_Mbps_sh
3	1.88	3.49	5.91	7.77
10	2.97	2.91	6.76	7.08
25	3.14	2.78	7.07	6.73
50	3.12	2.67	7.20	6.64
75	3.18	2.56	7.08	6.58
100	3.20	2.64	7.00	6.62
150	3.21	2.54	7.11	6.52
200	3.26	2.57	7.07	6.53
300	3.19	2.53	7.13	6.49
400	3.13	2.48	7.18	6.43

A.3 Simulation results for the Green trRAS

We use the same scenario as in A.2 but now we use the Green trRAS (G-trRAS).

Table A.5 and Table A.6 show the results of the same scenario as for Table A.2 and Table A.3 but the shaper is now the G-trRAS. We see that the shaped traffic performs again much better, also compared to the previous case (i.e. where the trRAS was used). This is because the amount of yellow traffic increases with the expense of a slight decrease in the amount of green traffic. This can be explained by the fact that the G-trRAS introduces some burstiness.

Table A.5: throughput in Mbps for the unshaped traffic.

	green	yellow	total
2Mbps [C1]	1.10	0.95	2.26
4Mbps [C2]	2.41	1.66	4.24
6Mbps [C3]	3.94	1.97	6.07
8Mbps [C4]	5.72	2.13	7.96
10Mbps [C5]	7.25	2.29	9.64

Table A.6: throughput in Mbps for the adaptively shaped traffic.

	green	yellow	total
2Mbps [C6]	1.92	1.75	3.77
4Mbps [C7]	3.79	3.24	7.05
6Mbps [C8]	5.35	3.62	8.97
8Mbps [C9]	6.96	3.48	10.4
10Mbps [C10]	8.69	3.06	11.7

The impact of the CBS is shown in Table A.7 which is the same scenario as Table A.4 with the only difference that the shaper is now the G-trRAS. We see that the shaped traffic performs much better than the unshaped traffic when the CBS is small. When the CBS is

large, the shaped and unshaped traffic performs more or less the same. This is in contrast with the trRAS, where the performance of the shaped traffic was slightly worse in case of a large CBS.

Table A.7: goodput in Mbps (link rate is 70 Mbps) versus CBS in KBytes.

CBS	2_Mbps_unsh	2_Mbps_sh	6_Mbps_unsh	6_Mbps_sh
3	1.90	3.44	5.62	8.44
10	2.95	3.30	6.70	7.20
25	2.98	3.01	7.03	6.93
50	3.06	2.85	6.81	6.84
75	3.08	2.80	6.87	6.96
100	2.99	2.78	6.85	6.88
150	2.98	2.70	6.80	6.81
200	2.96	2.70	6.82	6.97
300	2.94	2.70	6.83	6.86
400	2.86	2.62	6.83	6.84

A.4 Conclusion simulations

From these simulations, we see that the shaped traffic has much higher throughput compared to the unshaped traffic when the CBS was small. When the CBS is large, the shaped traffic performs slightly less than the unshaped traffic due to the delay in the shaper. The G-trRAS solves this problem. Additional simulation results may be found in [Cnodder]

Authors' Addresses

Olivier Bonaventure
Infonet research group
Institut d'Informatique (CS Dept)
Facultes Universitaires Notre-Dame de la Paix
Rue Grandgagnage 21, B-5000 Namur, Belgium.

E-Mail: Olivier.Bonaventure@info.fundp.ac.be
URL: <http://www.infonet.fundp.ac.be>

Stefaan De Cnodder
Alcatel Network Strategy Group
Fr. Wellesplein 1, B-2018 Antwerpen, Belgium.

Phone: 32-3-240-8515
Fax: 32-3-240-9932
E-Mail: stefaan.de_cnodder@alcatel.be

Full Copyright Statement

Copyright (C) The Internet Society (2000). All Rights Reserved.

This document and translations of it may be copied and furnished to others, and derivative works that comment on or otherwise explain it or assist in its implementation may be prepared, copied, published and distributed, in whole or in part, without restriction of any kind, provided that the above copyright notice and this paragraph are included on all such copies and derivative works. However, this document itself may not be modified in any way, such as by removing the copyright notice or references to the Internet Society or other Internet organizations, except as needed for the purpose of developing Internet standards in which case the procedures for copyrights defined in the Internet Standards process must be followed, or as required to translate it into languages other than English.

The limited permissions granted above are perpetual and will not be revoked by the Internet Society or its successors or assigns.

This document and the information contained herein is provided on an "AS IS" basis and THE INTERNET SOCIETY AND THE INTERNET ENGINEERING TASK FORCE DISCLAIMS ALL WARRANTIES, EXPRESS OR IMPLIED, INCLUDING BUT NOT LIMITED TO ANY WARRANTY THAT THE USE OF THE INFORMATION HEREIN WILL NOT INFRINGE ANY RIGHTS OR ANY IMPLIED WARRANTIES OF MERCHANTABILITY OR FITNESS FOR A PARTICULAR PURPOSE.

Acknowledgement

Funding for the RFC Editor function is currently provided by the Internet Society.

